

**Technical Data of Oil-immersed Transformer
Hermetically Sealed Type**

Model (ordering code) : **OTCS35-22K-0250K-B**

Reference standard : IEC 60076 , TIS 384-2543

Ratings

Rated power : **250** (kVA)
 Number of phases : **3** (Ø)
 Rated frequency : **50** (Hz)
 Rated primary voltage (± 2x2.5%) : **22000** (V)
 Rated secondary voltage : **400/230** (V)
 Rated primary current : **6.56** (A)
 Rated secondary current : **361** (A)
 Insulation class : **A (105)** (°C)
 Connection symbol : **Dyn11**

Service condition and installation

Ambient temperature : **40** (°C)
 Altitude (above sea level) : **≤ 1000** (m)
 Type of cooling : **ONAN**
 Suitable installation : **Outdoor**

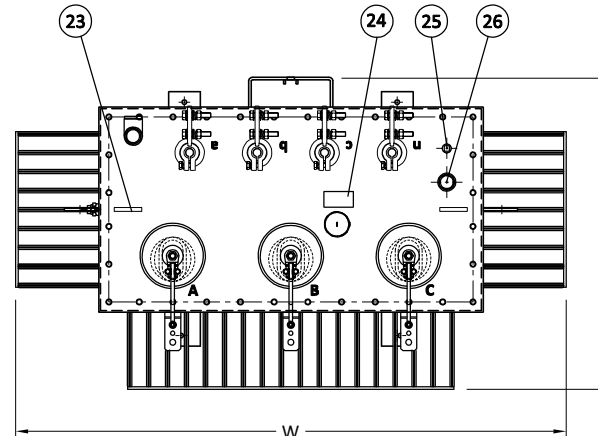
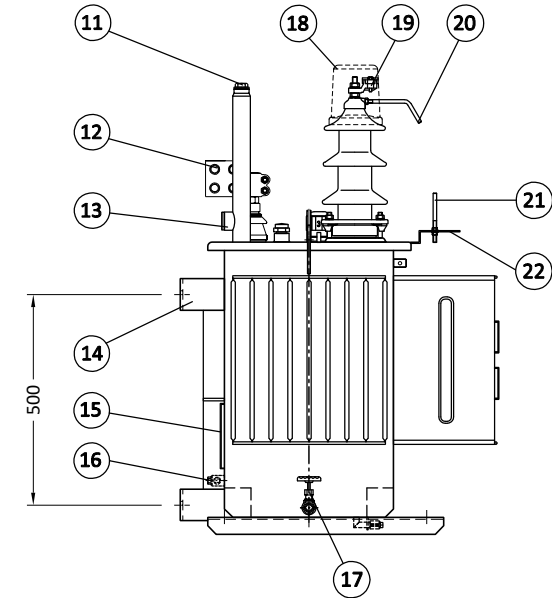
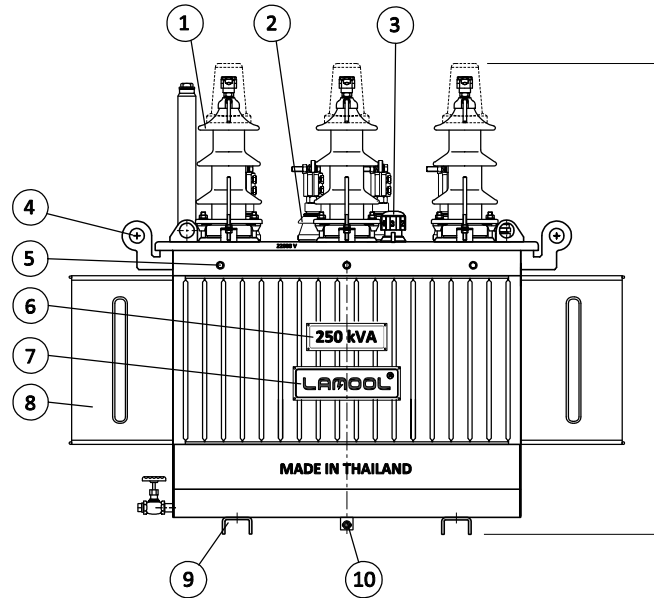
Technical particulars (75°C)

No load loss : **500** (W)
 Load loss : **2950** (W)
 Short-circuit impedance : **4.0** (%)
 Efficiency at 50% of rated power and P.F.= 1.0 : **99.02** (%)
 Efficiency at 100% of rated power and P.F.= 1.0 : **98.64** (%)
 Voltage regulation at full load and P.F.= 1.0 : **1.25** (%)
 Sound level : **51** (dB(A))

Max. Temperature rise of top oil, at full load : **60** (K)
 Max. Temperature rise of winding, at full load : **65** (K)

Routine test

Measurement of winding resistance
 Measurement of insulation resistance
 Measurement of voltage ratio and check of phase displacement
 Measurement of no-load loss and no-load current
 Measurement of load loss
 Measurement of short-circuit impedance
 Induced overvoltage withstand test
 Separate-source voltage-withstand test (Hi-pot test)
 Oil dielectric strength test
 Physical leakage test
 Type test (optional)



GreenTech Series

No.	Description	No.	Description
1	High voltage bushing	14	Support lugs
2	Low voltage bushing	15	Name plate
3	Off-load tap changer	16	Earthing terminal
4	Lifting lugs	17	Oil drain valve
5	Earthing terminal for surge arrester	18	Bird guard cap
6	Capacity plate	19	High voltage terminal
7	Trade mark plate	20	Arcing horn
8	Corrugated radiator	21	Earthing terminal for arcing horn
9	Transformer base	22	Bracket for surge arrester
10	Sludge drain plug	23	Lifting eyes
11	Oil filling plug	24	Instruction for tap changer
12	Low voltage terminal	25	Thermometer pocket
13	Oil level gauge	26	Pressure relief device

Approximate overall dimension, oil quantity and weight				
W (mm)	D (mm)	H (mm)	Oil quantity (Litre)	Total weight (kg)
1320	750	1120	160	890



Lamool Transformers Co., Ltd.

Tel. : (66) 0-2420-9065

Fax. : (66) 0-2431-0256

Website : www.lamool.com

Email. : info@lamool.com

