

**Technical Data of Oil-immersed Transformer  
Hermetically Sealed Type**

Model (ordering code) : **OTCO35-24K-2500K-A**  
Reference standard : IEC 60076 , TIS 384-2543

**Ratings**

Rated power : **2500** (kVA)  
Number of phases : 3 (Ø)  
Rated frequency : 50 (Hz)  
Rated primary voltage : 22000 24000 (V)  
Rated secondary voltage : 400 416 (V)  
Rated primary current : 65.61 60.14 (A)  
Rated secondary current : 3608 3470 (A)  
Insulation class : A (105) (°C)  
Connection symbol : Dyn-11

**Service condition and installation**

Ambient temperature : 40 (°C)  
Altitude (above sea level) : ≤ 1000 (m)  
Type of cooling : ONAN  
Suitable installation : Outdoor

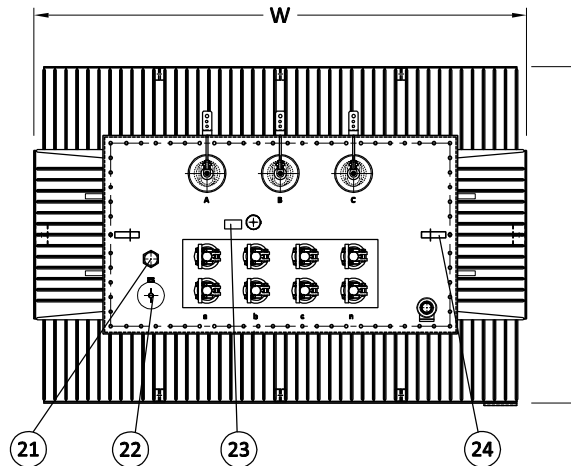
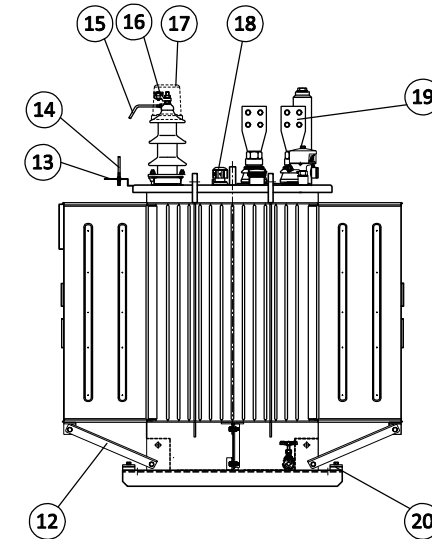
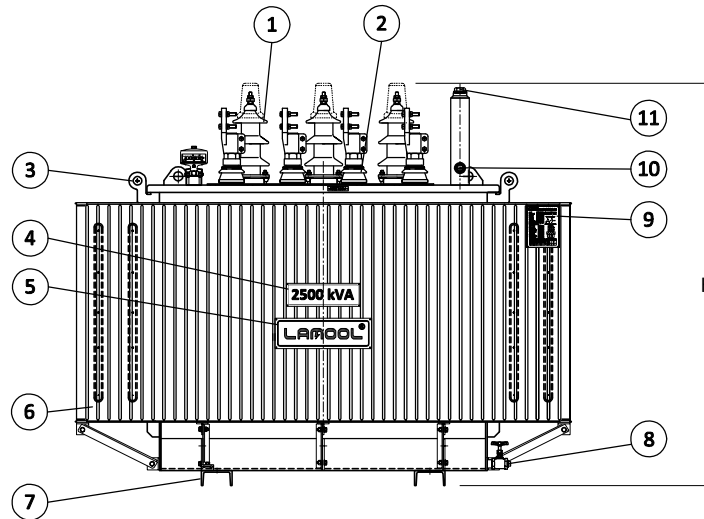
**Technical particulars (75°C)**

No load loss : 3200 (W)  
Load loss : 26800 (W)  
Short-circuit impedance : 7.0 (%)  
Efficiency at 50% of rated power and P.F.= 1.0 : 99.21 (%)  
Efficiency at 100% of rated power and P.F.= 1.0 : 98.81 (%)  
Voltage regulation at full load and P.F.= 1.0 : 1.25 (%)  
Sound level : 62 (dB(A))

Max. Temperature rise of top oil, at full load : 60 (K)  
Max. Temperature rise of winding, at full load : 65 (K)

**Routine tests**

Measurement of winding resistance  
Measurement of insulation resistance  
Measurement of voltage ratio and check of phase displacement  
Measurement of no-load loss and no-load current  
Measurement of load loss  
Measurement of short-circuit impedance  
Induced overvoltage withstand test  
Separate-source voltage-withstand test (Hi-pot test)  
Oil dielectric strength test  
Physical leakage test  
Type test (optional)



**GreenTech Series**

No.	Description	No.	Description
1	High voltage bushing	13	Bracket for surge arrester
2	Low voltage bushing	14	Earthing terminal for arcing horn
3	Lifting lugs	15	Arcing horn
4	Capacity plate	16	High voltage terminal
5	Trade mark plate	17	Bird guard cap
6	Corrugated radiator	18	Off-load tap changer
7	Transformer base	19	Low voltage terminal
8	Oil drain valve	20	Earthing terminal
9	Name plate	21	Pressure relief device
10	Oil level gauge	22	Thermometer with dual contacts (option)
11	Oil filling plug	23	Instruction for tap changer
12	Supported devices for radiators	24	Lifting eyes

**Approximate overall dimension, oil quantity and weight**

W (mm)	D (mm)	H (mm)	Oil quantity (Litre)	Total weight (kg)
<b>2040</b>	<b>1410</b>	<b>1660</b>	<b>1050</b>	<b>4900</b>



**Lamool Transformers Co., Ltd.**

Tel. : (66) 0-2420-9065

Fax. : (66) 0-2431-0256

Website : [www.lamool.com](http://www.lamool.com)

Email. : [info@lamool.com](mailto:info@lamool.com)

