

**Technical Data of Oil-immersed Transformer
Hermetically Sealed Type**

Model (ordering code) : **OTCO35-24K-1600K-A**

Reference standard : IEC 60076 , TIS 384-2543

Ratings

Rated power	:	1600	(kVA)
Number of phases	:	3	(Ø)
Rated frequency	:	50	(Hz)
Rated primary voltage	:	22000 24000	(V)
Rated secondary voltage	:	400/230 416/240	(V)
Rated primary current	:	41.99 38.49	(A)
Rated secondary current	:	2309 2221	(A)
Insulation class	:	A (105)	(°C)
Connection symbol	:	Dyn11	

Service condition and installation

Ambient temperature	:	40	(°C)
Altitude (above sea level)	:	≤ 1000	(m)
Type of cooling	:	ONAN	
Suitable installation	:	Outdoor	

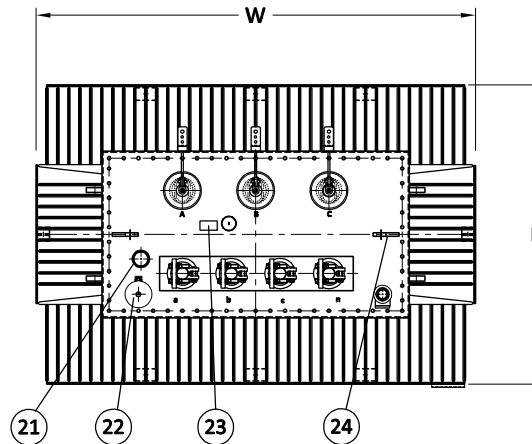
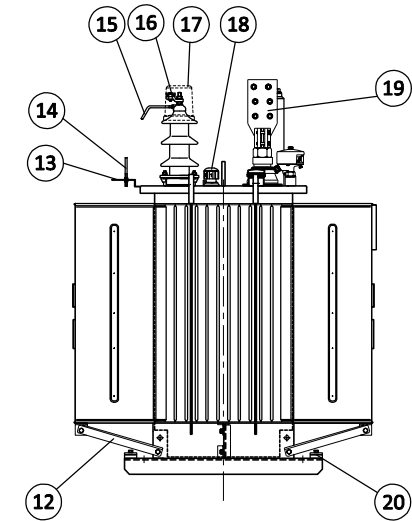
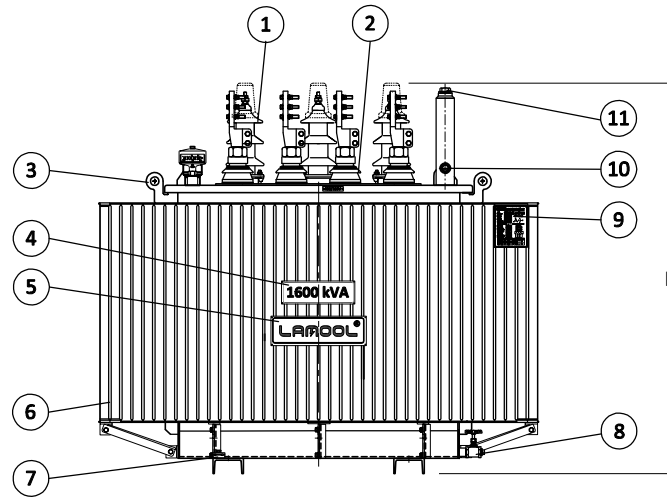
Technical particulars (75°C)

No load loss	:	2100	(W)
Load loss	:	19500	(W)
Short-circuit impedance	:	6.00	(%)
Efficiency at 50% of rated power and P.F.= 1.0	:	99.14	(%)
Efficiency at 100% of rated power and P.F.= 1.0	:	98.67	(%)
Voltage regulation at full load and P.F.= 1.0	:	1.39	(%)
Sound level	:	60	(dB(A))

Max. Temperature rise of top oil, at full load	:	60	(K)
Max. Temperature rise of winding, at full load	:	65	(K)

Routine test

- Measurement of winding resistance
- Measurement of insulation resistance
- Measurement of voltage ratio and check of phase displacement
- Measurement of no-load loss and no-load current
- Measurement of load loss
- Measurement of short-circuit impedance
- Induced overvoltage withstand test
- Separate-source voltage-withstand test (Hi-pot test)
- Oil dielectric strength test
- Physical leakage test
- Type test (optional)



GreenTech Series

No.	Description	No.	Description
1	High voltage bushing	13	Bracket for surge arrester
2	Low voltage bushing	14	Earthing terminal for arcing horn
3	Lifting lugs	15	Arcing horn
4	Capacity plate	16	High voltage terminal
5	Trade mark plate	17	Bird guard cap
6	Corrugated radiator	18	Off-load tap changer
7	Transformer base	19	Low voltage terminal
8	Oil drain valve	20	Earthing terminal
9	Name plate	21	Pressure relief device
10	Oil level gauge	22	Thermometer with dual contacts (option)
11	Oil filling plug	23	Instruction for tap changer
12	Supported devices for radiators	24	Lifting eyes

Approximate overall dimension, oil quantity and weight

W (mm)	D (mm)	H (mm)	Oil quantity (Litre)	Total weight (kg)
1810	1240	1600	770	3420



Lamool Transformers Co., Ltd.

Tel. : (66) 0-2420-9065

Fax. : (66) 0-2431-0256

Website : www.lamool.com

Email. : info@lamool.com

