

**Technical Data of Oil-immersed Transformer  
Hermetically Sealed Type**

Model (ordering code) : **OTCO35-24K-0750K-A**

Reference standard : IEC 60076 , TIS 384-2543

**Ratings**

Rated power	750 (kVA)	
Number of phases	3 (Ø)	
Rated frequency	50 (Hz)	
Rated primary voltage	22000	24000 (V)
Rated secondary voltage	400/230	416/240 (V)
Rated primary current	19.68	18.04 (A)
Rated secondary current	1083	1041 (A)
Insulation class	A (105) (°C)	
Connection symbol	Dyn11	

**Service condition and installation**

Ambient temperature	: 40 (°C)
Altitude (above sea level)	: ≤ 1000 (m)
Type of cooling	: ONAN
Suitable installation	: Outdoor

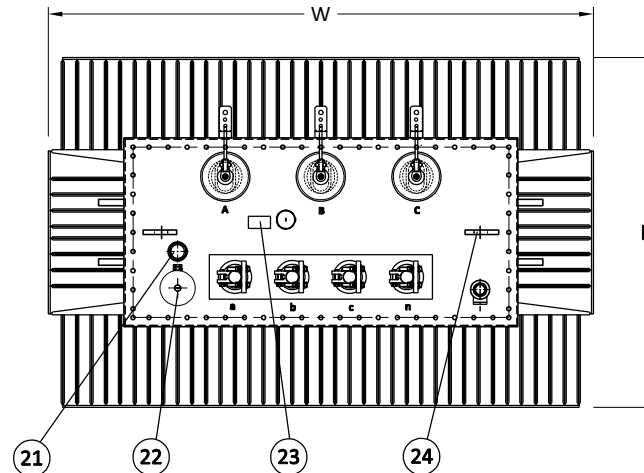
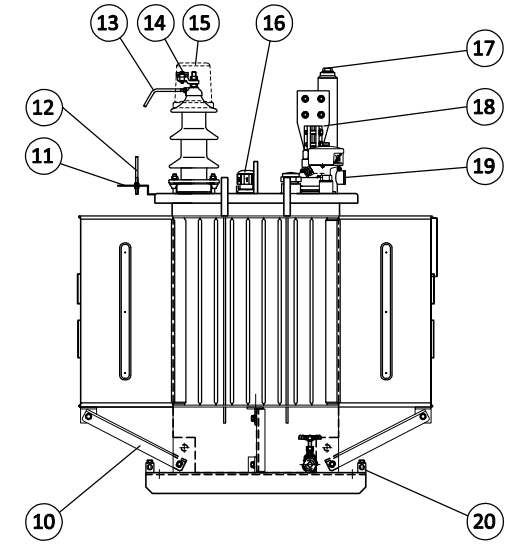
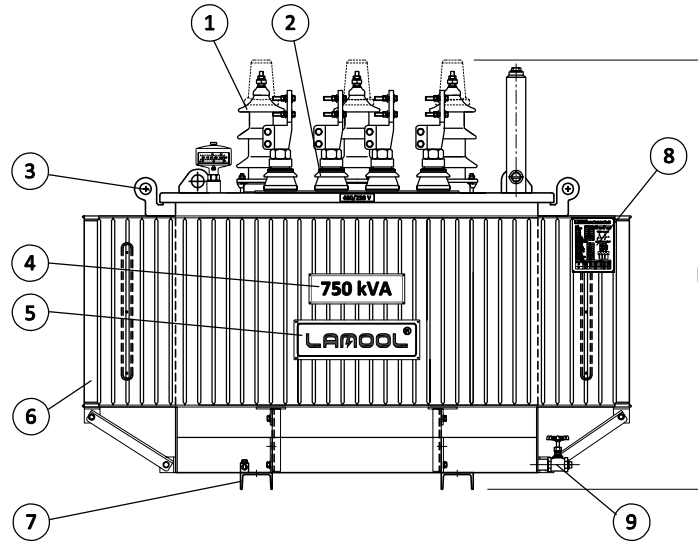
**Technical particulars (75°C)**

No load loss	: 1250 (W)
Load loss	: 10600 (W)
Short-circuit impedance	: 6.0 (%)
Efficiency at 50% of rated power and P.F.= 1.0	: 98.97 (%)
Efficiency at 100% of rated power and P.F.= 1.0	: 98.44 (%)
Voltage regulation at full load and P.F.= 1.0	: 1.58 (%)
Sound level	: 58 (dB(A))

Max. Temperature rise of top oil, at full load	: 60 (K)
Max. Temperature rise of winding, at full load	: 65 (K)

**Routine tests**

- Measurement of winding resistance
- Measurement of insulation resistance
- Measurement of voltage ratio and check of phase displacement
- Measurement of no-load loss and no-load current
- Measurement of load loss
- Measurement of short-circuit impedance
- Induced overvoltage withstand test
- Separate-source voltage-withstand test (Hi-pot test)
- Oil dielectric strength test
- Physical leakage test
- Type test (optional)



**GreenTech Series**

No.	Description	No.	Description
1	High voltage bushing	13	Arcing horn
2	Low voltage bushing	14	High voltage terminal
3	Lifting lugs	15	Bird guard cap
4	Capacity plate	16	Off-load tap changer
5	Trade mark plate	17	Oil filling plug
6	Corrugated radiator	18	Low voltage terminal
7	Transformer base	19	Oil level gauge
8	Name plate	20	Earthing terminal
9	Oil drain valve	21	Pressure relief device
10	Supported devices for radiators	22	Thermometer with dual contacts (option)
11	Bracket for surge arrester	23	Instruction for tap changer
12	Earthing terminal for arcing horn	24	Lifting eyes

**Approximate overall dimension, oil quantity and weight**

W (mm)	D (mm)	H (mm)	Oil quantity (Litre)	Total weight (kg)
1730	1150	1350	510	2130



**Lamool Transformers Co., Ltd.**

Tel. : (66) 0-2420-9065

Fax. : (66) 0-2431-0256

Website : [www.lamool.com](http://www.lamool.com)

Email. : [info@lamool.com](mailto:info@lamool.com)

