

**Technical Data of Oil-immersed Transformer
Hermetically Sealed Type**

Model (ordering code) : **OTCO35-24K-0630K-A**

Reference standard : IEC 60076 , TIS 384-2543

Ratings

Rated power	:	630	(kVA)
Number of phases	:	3	(∅)
Rated frequency	:	50	(Hz)
Rated primary voltage	:	22000 24000	(V)
Rated secondary voltage	:	400/230 416/240	(V)
Rated primary current	:	16.53 15.16	(A)
Rated secondary current	:	909 874	(A)
Insulation class	:	A (105)	(°C)
Connection symbol	:	Dyn11	

Service condition and installation

Ambient temperature	:	40	(°C)
Altitude (above sea level)	:	≤ 1000	(m)
Type of cooling	:	ONAN	
Suitable installation	:	Outdoor	

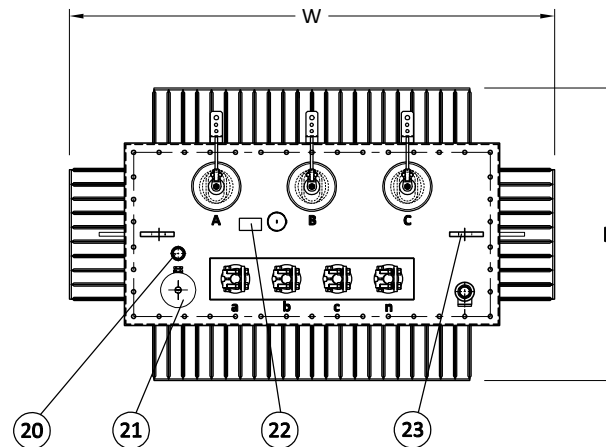
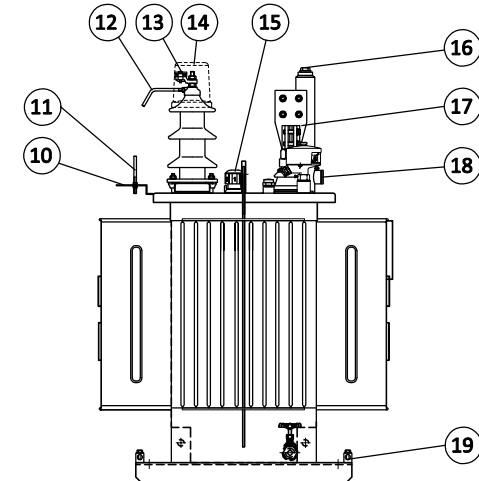
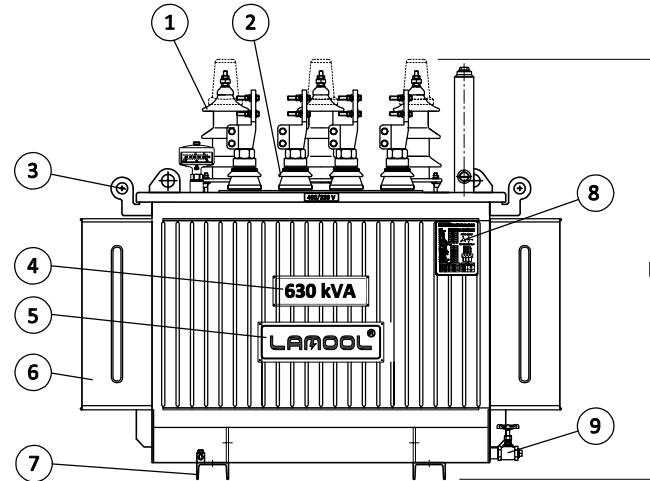
Technical particulars (75°C)

No load loss	:	1200	(W)
Load loss	:	6500	(W)
Short-circuit impedance	:	4.0	(%)
Efficiency at 50% of rated power and P.F.= 1.0	:	99.11	(%)
Efficiency at 100% of rated power and P.F.= 1.0	:	98.79	(%)
Voltage regulation at full load and P.F.= 1.0	:	1.11	(%)
Sound level	:	57	(dB(A))

Max. Temperature rise of top oil, at full load	:	60	(K)
Max. Temperature rise of winding, at full load	:	65	(K)

Routine test

- Measurement of winding resistance
- Measurement of insulation resistance
- Measurement of voltage ratio and check of phase displacement
- Measurement of no-load loss and no-load current
- Measurement of load loss
- Measurement of short-circuit impedance
- Induced overvoltage withstand test
- Separate-source voltage-withstand test (Hi-pot test)
- Oil dielectric strength test
- Physical leakage test
- Type test (optional)



GreenTech Series

No.	Description	No.	Description
1	High voltage bushing	13	High voltage terminal
2	Low voltage bushing	14	Bird guard cap
3	Lifting lugs	15	Off-load tap changer
4	Capacity plate	16	Oil filling plug
5	Trade mark plate	17	Low voltage terminal
6	Corrugated radiator	18	Oil level gauge
7	Transformer base	19	Earthing terminal
8	Name plate	20	Pressure relief device
9	Oil drain valve	21	Thermometer with dual contacts (option)
10	Bracket for surge arrester	22	Instruction for tap changer
11	Earthing terminal for surge arrester	23	Lifting eyes
12	Arcing horn		

Approximate overall dimension, oil quantity and weight

W (mm)	D (mm)	H (mm)	Oil quantity (Litre)	Total weight (kg)
1530	980	1330	380	1850



Lamool Transformers Co., Ltd.

Tel. : (66) 0-2420-9065

Fax. : (66) 0-2431-0256

Website : www.lamool.com

Email. : info@lamool.com

