

**Technical Data of Oil-immersed Transformer  
Hermetically Sealed Type**

Model (ordering code) : **OTCO35-22K-0100K-A**

Reference standard : IEC 60076 , TIS 384-2543

**Ratings**

Rated power : **100** (kVA)  
 Number of phases : 3 (Ø)  
 Rated frequency : 50 (Hz)  
 Rated primary voltage (± 2x2.5%) : 22000 (V)  
 Rated secondary voltage : 400/230 (V)  
 Rated primary current : 2.62 (A)  
 Rated secondary current : 144 (A)  
 Insulation class : A (105) (°C)  
 Connection symbol : Dyn11

**Service condition and installation**

Ambient temperature : 40 (°C)  
 Altitude (above sea level) : ≤ 1000 (m)  
 Type of cooling : ONAN  
 Suitable installation : Outdoor

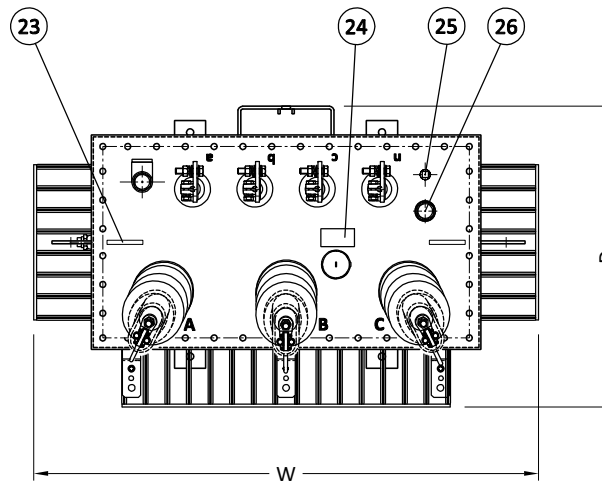
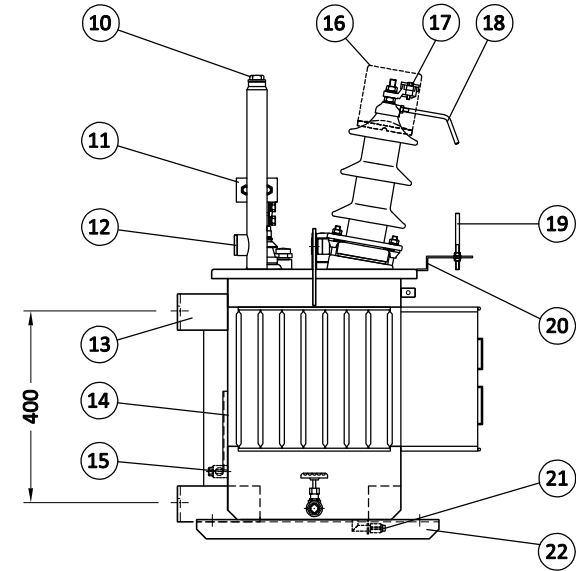
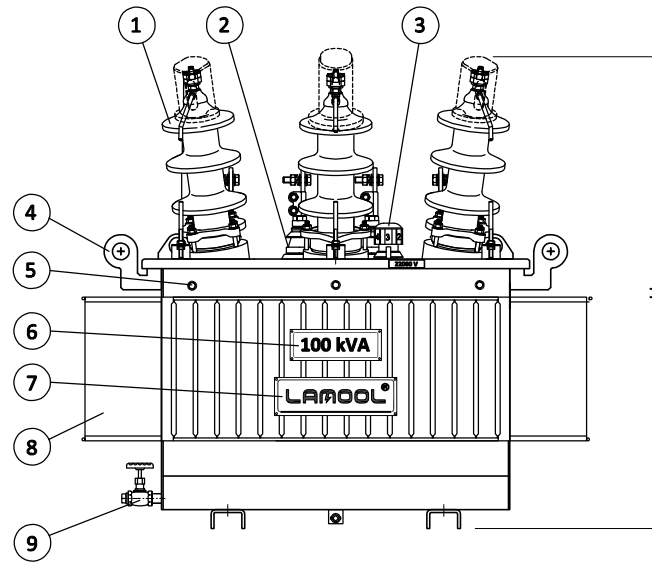
**Technical particulars (75°C)**

No load loss : 250 (W)  
 Load loss : 1550 (W)  
 Short-circuit impedance : 4.0 (%)  
 Efficiency at 50% of rated power and P.F.= 1.0 : 98.74 (%)  
 Efficiency at 100% of rated power and P.F.= 1.0 : 98.23 (%)  
 Voltage regulation at full load and P.F.= 1.0 : 1.62 (%)  
 Sound level : 51 (dB(A))

Max. Temperature rise of top oil, at full load : 60 (K)  
 Max. Temperature rise of winding, at full load : 65 (K)

**Routine test**

Measurement of winding resistance  
 Measurement of insulation resistance  
 Measurement of voltage ratio and check of phase displacement  
 Measurement of no-load loss and no-load current  
 Measurement of load loss  
 Measurement of short-circuit impedance  
 Induced overvoltage withstand test  
 Separate-source voltage-withstand test (Hi-pot test)  
 Oil dielectric strength test  
 Physical leakage test  
 Type test (optional)



**GreenTech Series**

No.	Description
1	High voltage bushing
2	Low voltage bushing
3	Off-load tap changer
4	Lifting lugs
5	Earthing terminal for surge arrester
6	Capacity plate
7	Trade mark plate
8	Corrugated radiator
9	Oil drain valve
10	Oil filling plug
11	Low voltage terminal
12	Oil level gauge
13	Support lugs

No.	Description
14	Name plate
15	Earthing terminal
16	Bird guard cap
17	High voltage terminal
18	Arcing horn
19	Earthing terminal for arcing horn
20	Bracket for surge arrester
21	Sludge drain plug
22	Transformer base
23	Lifting eyes
24	Instruction for tap changer
25	Thermometer pocket
26	Pressure relief device

**Approximate overall dimension, oil quantity and weight**

W (mm)	D (mm)	H (mm)	Oil quantity (Litre)	Total weight (kg)
<b>1060</b>	<b>630</b>	<b>980</b>	<b>105</b>	<b>525</b>



**Lamool Transformers Co., Ltd.**

Tel. : (66) 0-2420-9065

Fax. : (66) 0-2431-0256

Website : [www.lamool.com](http://www.lamool.com)

Email. : [info@lamool.com](mailto:info@lamool.com)

