

**Technical Data of Oil-immersed Transformer
Hermetically Sealed Type**

Model (ordering code) : **OTCO15-22K-0050K-A**
 Reference standard : IEC 60076, TIS 384-2543

Ratings

Rated power : **50** (kVA)
 Number of phases : **1** (Ø)
 Rated frequency : **50** (Hz)
 Rated primary voltage (± 2x2.5%) : **22000** (V)
 Rated secondary voltage : **460/230** (V)
 Rated primary current : **2.27** (A)
 Rated secondary current : **108.7/217.4** (A)
 Insulation class : **A (105)** (°C)
 Connection symbol : **Subtractive**

Service condition and installation

Ambient temperature : **40** (°C)
 Altitude (above sea level) : **≤ 1000** (m)
 Type of cooling : **ONAN**
 Suitable installation : **Outdoor**

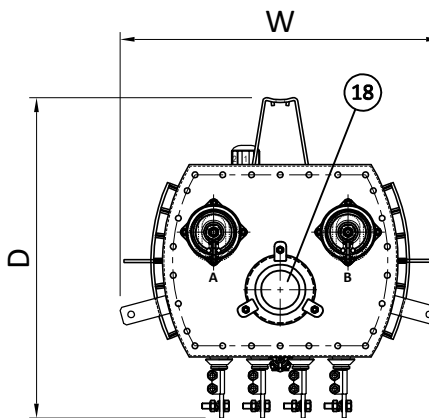
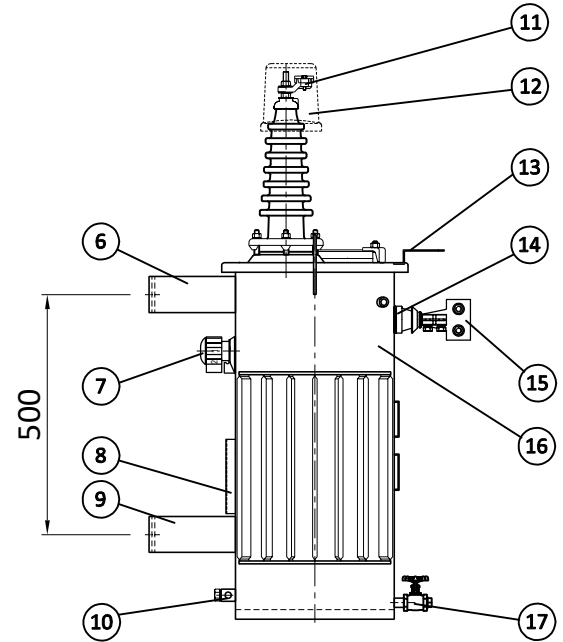
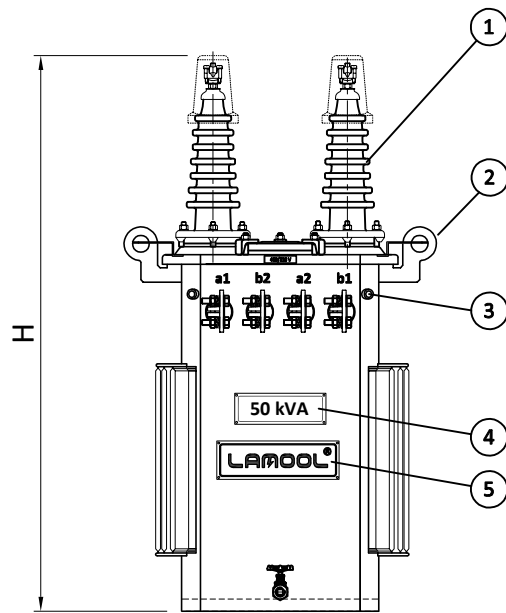
Technical particulars (75°C)

No load loss : **150** (W)
 Load loss : **670** (W)
 Short-circuit impedance : **2.2** (%)
 Efficiency at 50% of rated power and P.F.= 1.0 : **98.75** (%)
 Efficiency at 100% of rated power and P.F.= 1.0 : **98.39** (%)
 Voltage regulation at full load and P.F.= 1.0 : **1.36** (%)
 Sound level : **51** (dB(A))

Max. Temperature rise of top oil, at full load : **55** (K)
 Max. Temperature rise of winding, at full load : **65** (K)

Routine test

Measurement of winding resistance
 Measurement of insulation resistance
 Measurement of voltage ratio and check of phase displacement
 Measurement of no-load loss and no-load current
 Measurement of load loss
 Measurement of short-circuit impedance
 Induced overvoltage withstand test
 Separate-source voltage-withstand test (Hi-pot test)
 Oil dielectric strength test
 Physical leakage test
 Type test (optional)



GreenTech Series

No.	Description	No.	Description
1	High voltage bushing	10	Earthing terminal
2	Lifting lugs	11	High voltage terminal
3	Earthing terminal for surge arrester	12	Bird guard cap
4	Capacity plate	13	Bracket for surge arrester
5	Trade mark plate	14	Low voltage bushing
6	Upper support lug	15	Low voltage terminal
7	Off-load tap changer	16	Transformer tank
8	Name plate	17	Oil drain valve
9	Lower support lug	18	Hand hole

Approximate overall dimension, oil quantity and weight

W (mm)	D (mm)	H (mm)	Oil quantity (Litre)	Total weight (kg)
660	680	1160	60	300



Lamool Transformers Co., Ltd.

Tel. : (66) 0-2420-9065

Fax. : (66) 0-2431-0256

Website : www.lamool.com

Email. : info@lamool.com

